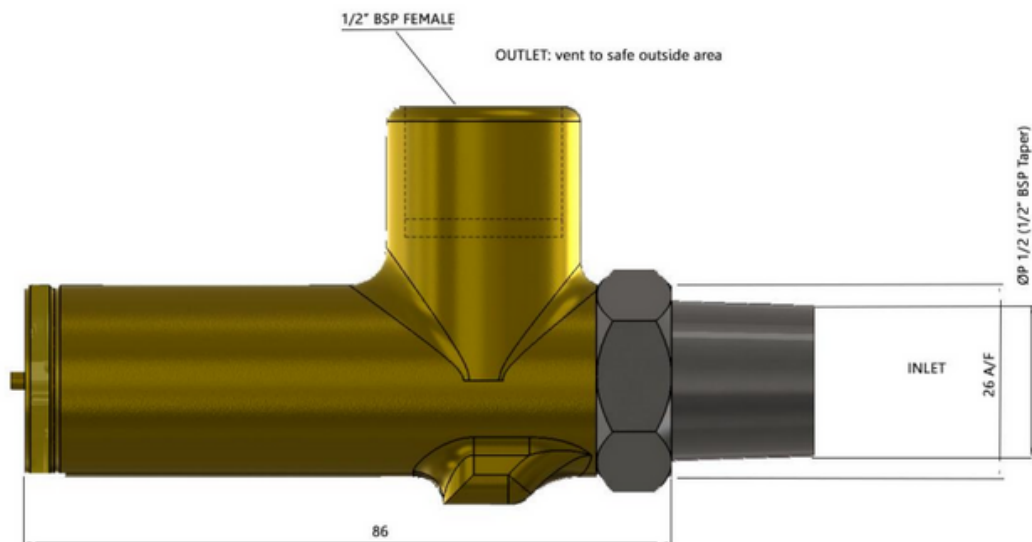


### Manifold Relief Valve - NF3412075



- Preset at 75 bar
- To release excess pressure directly via pipework to atmosphere
- Material: Brass and Stainless Steel

To be screwed into the Inertech Pressure Device connector into the Rp ½" connection